



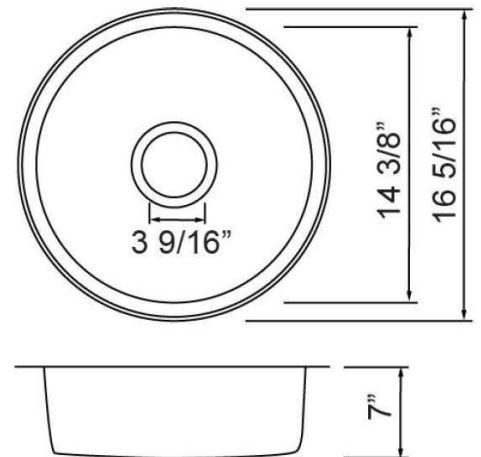
SPECIFICATIONS

PRODUCT SPECIFICATIONS

Stainless Steel SLU302 Single Bowl Undermount Sink. Overall dimensions are 16-5/16" x 7". sink is manufactured from 18 gauge 304 Stainless Steel with a Brushed finish, Center drain placement, and Full spray sides and bottom with Bottom and four sides pads.



Installation Type:	Undermount
Material:	SUS 304
Finish:	Brushed
Gauge:	16/18
Sound Deadening:	Full spray sides and bottom with Bottom and four sides pads.
Number of Bowls:	1
Sink Dimensions:	16-5/16 x 7"
Bowl 1 Dimensions:	14-3/8 x 7"
Drain Size:	3-9/16"
Drain Location:	Center
Minimum Cabinet Size:	21"
Mounting Hardware:	Undermount brackets
Cutout Template:	Available



Products are in compliance with the following standard(s):

ASME A112.19.3-2008/CSA B45.4-08 (R2013) including Update No. 2 dated March 2011