



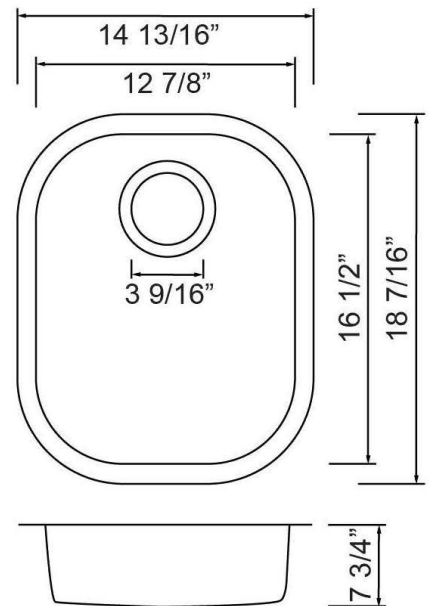
SPECIFICATIONS

PRODUCT SPECIFICATIONS

Stainless Steel SLU303 Single Bowl Undermount Sink. Overall dimensions are 18-7/16" x 14-13/16" x 7.5". Sink is manufactured from 18 gauge 304 Stainless Steel with a Brushed finish, Rear drain placement, and Full spray sides and bottom with Bottom and four sides pads.



Installation Type:	Undermount
Material:	SUS 304
Finish:	Brushed
Gauge:	18
Sound Deadening:	Full spray sides and bottom with Bottom and four sides pads.
Number of Bowls:	1
Sink Dimensions:	18-7/16 x 14-13/16 x 7.5"
Bowl 1 Dimensions:	16-1/2 x 12-7/8 x 7.5"
Drain Size:	3-9/16"
Drain Location:	Rear
Minimum Cabinet Size:	21"
Mounting Hardware:	Undermount brackets
Cutout Template:	



UPC® Products are in compliance with the following standard(s):

ASME A112.19.3-2008/CSA B45.4-08 (R2013) including Update No. 2 dated March 2011